

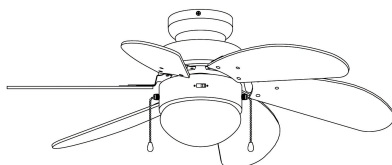
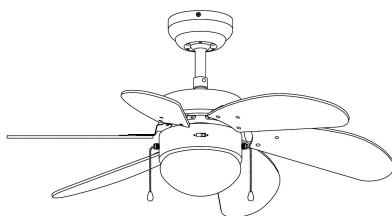
GLOBO

FAN

www.globo-lighting.com

03301

03302

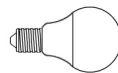


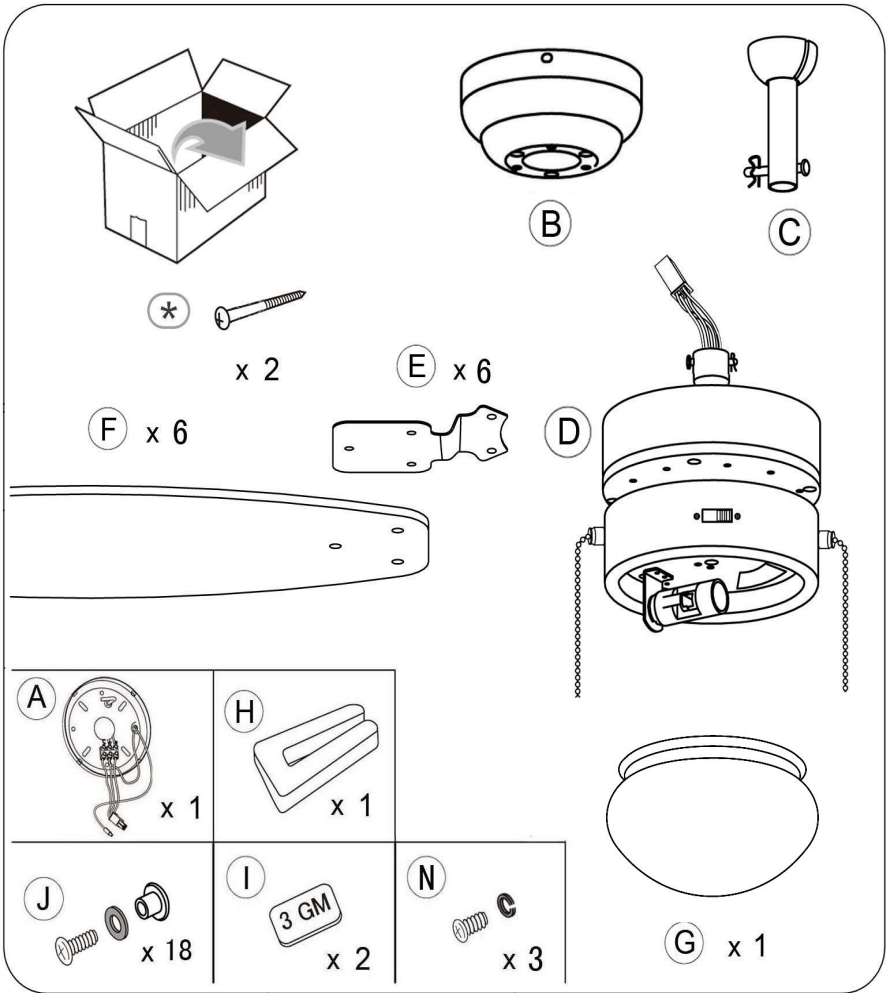
EINGANG: 220-240V~50Hz
MOTOR: 50W
BIRNE: 1 x max 60W E14 exkl.

GLOBO Handels GmbH

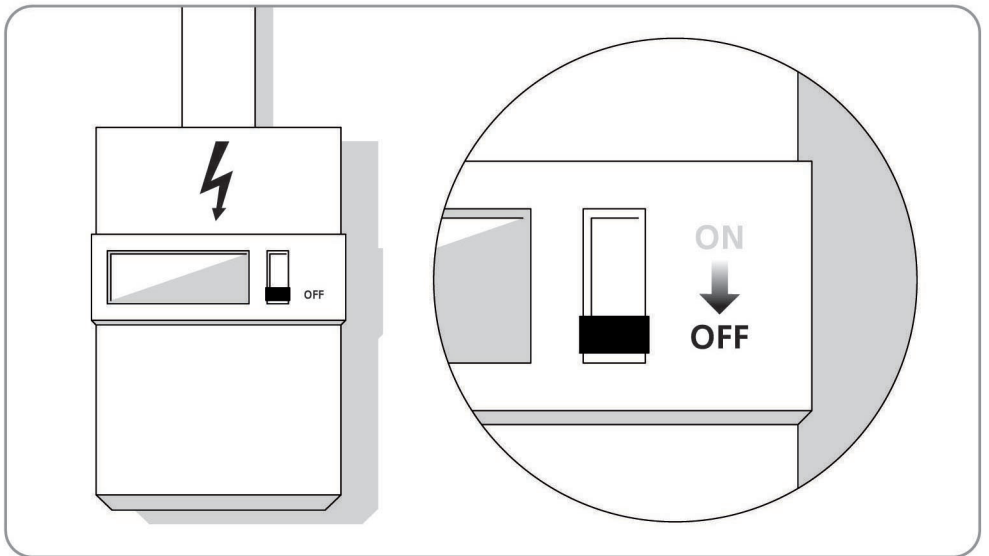
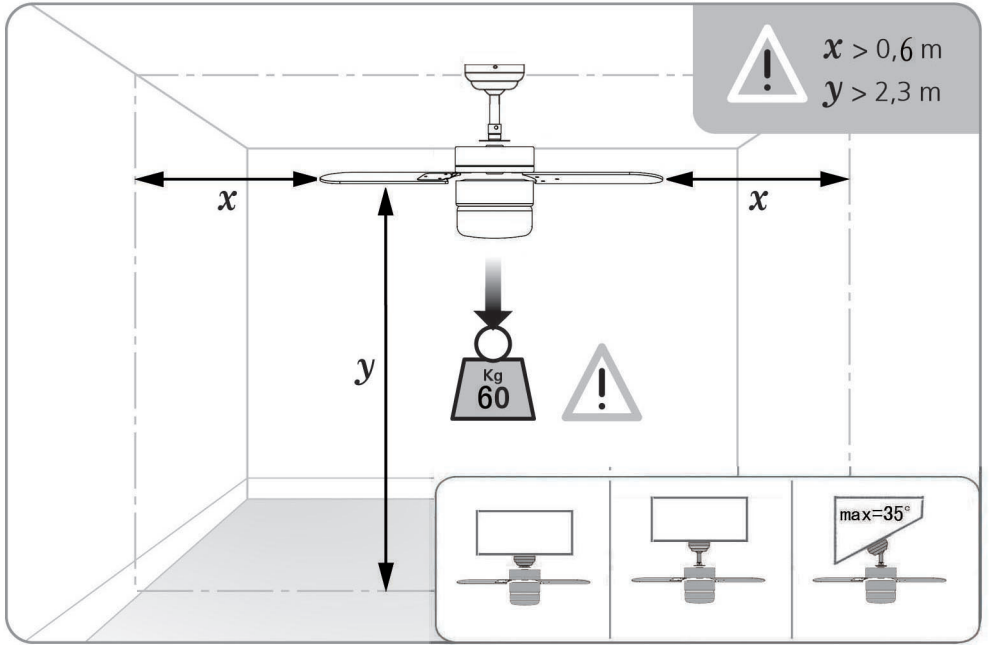
Gewerbestr. 3
A-9184 Sankt Peter

INPUT: 220-240V~50Hz
MOTOR: 50W
BULB: 1 x max 60W E14 exkl.

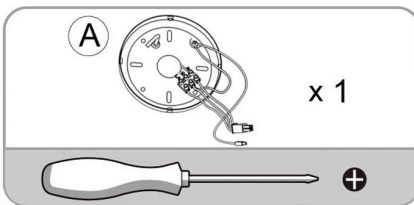
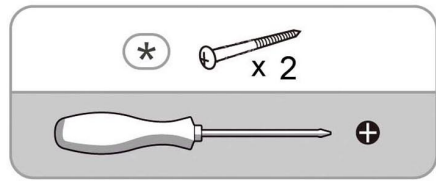
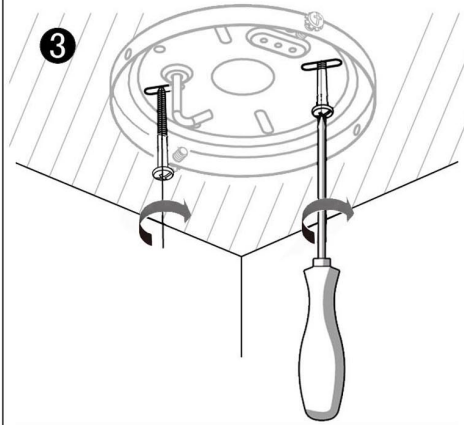
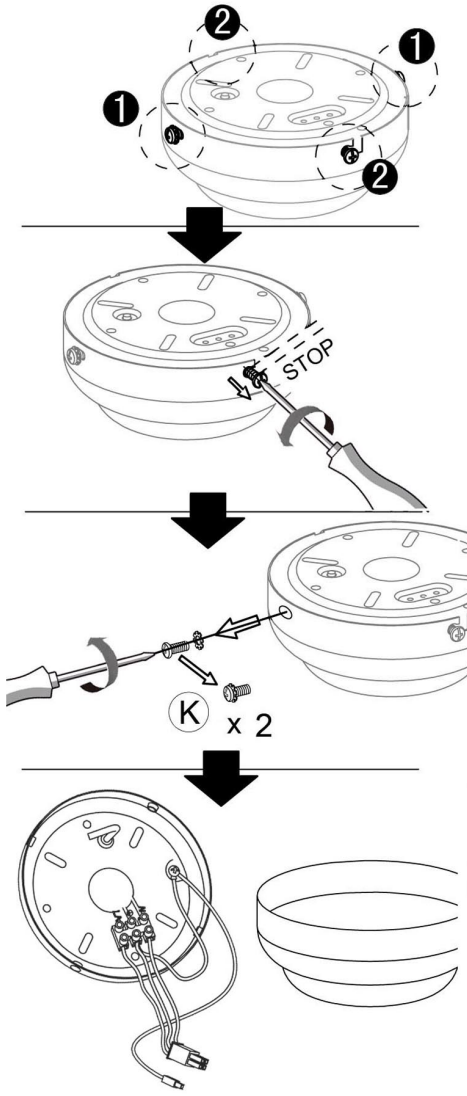


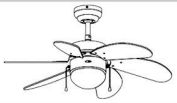


	<p>#8 + -</p>	<p>MAX=8.8 cm</p>	<p>2h</p>	
		<p>E 14</p>		

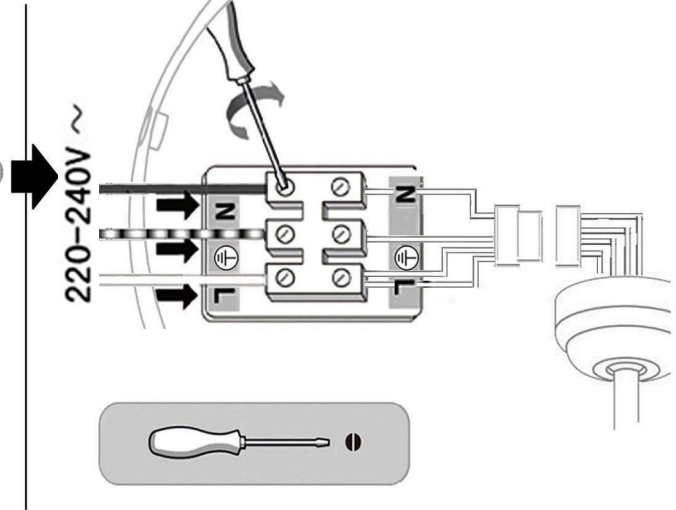
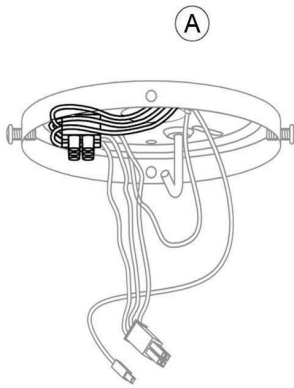


1

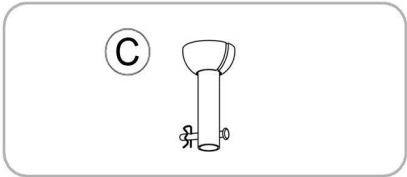
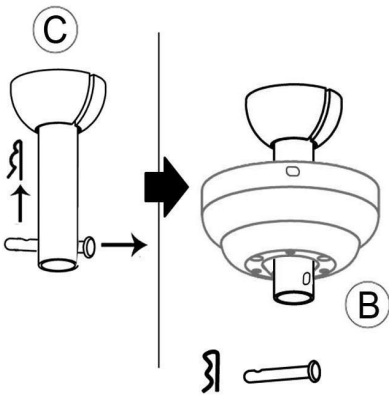




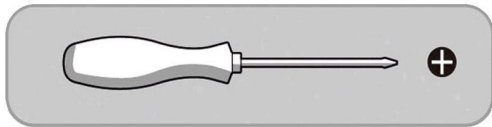
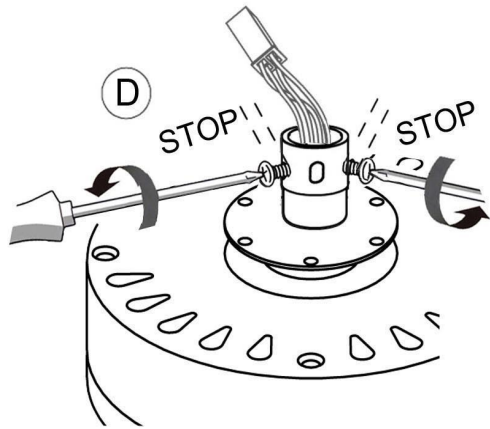
4 -1



5 -1

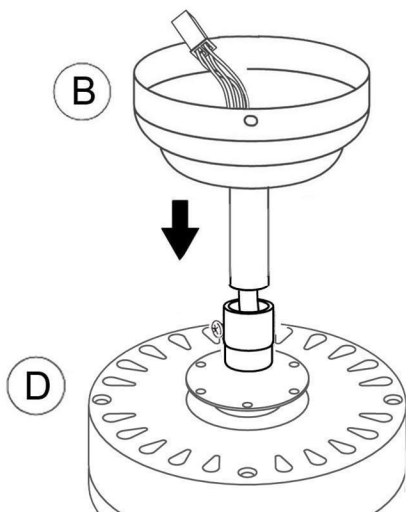


6 -1

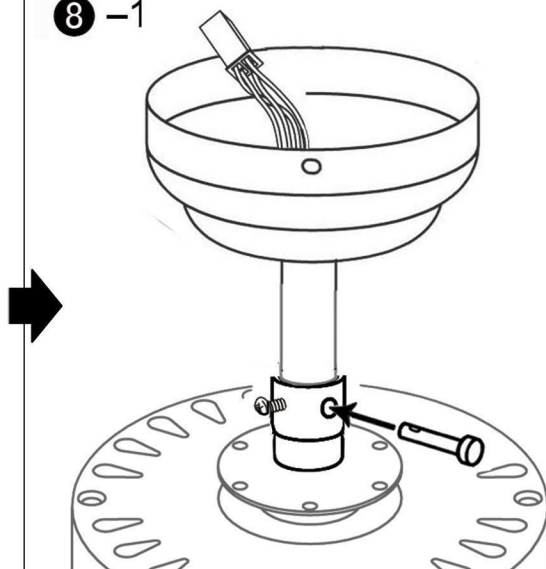




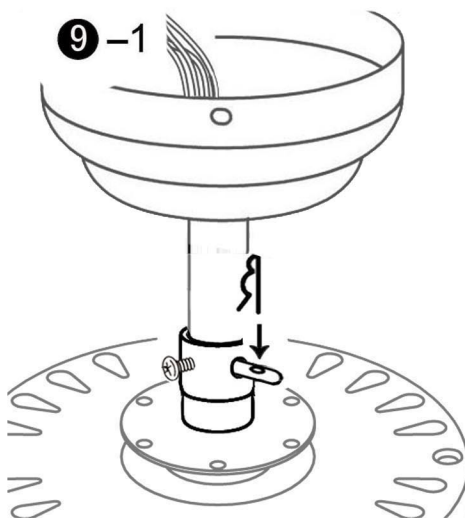
7-1



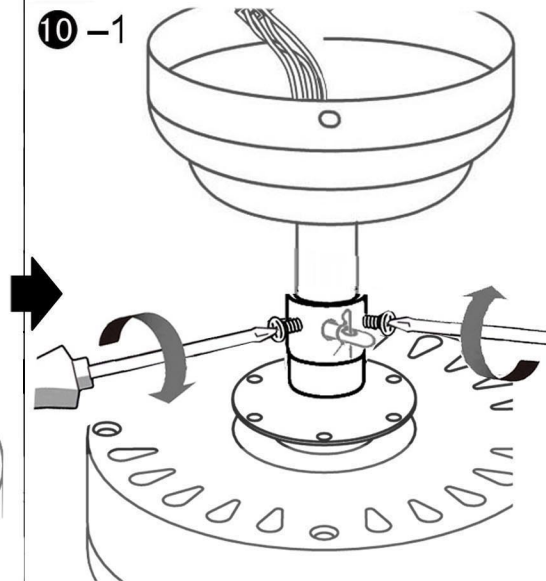
8-1



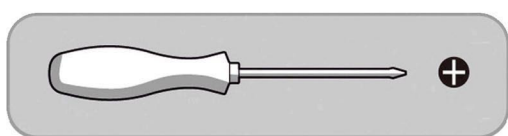
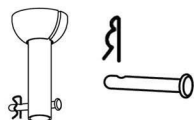
9-1



10-1

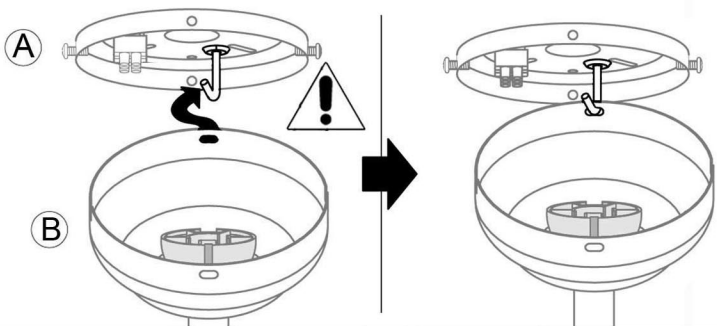


C

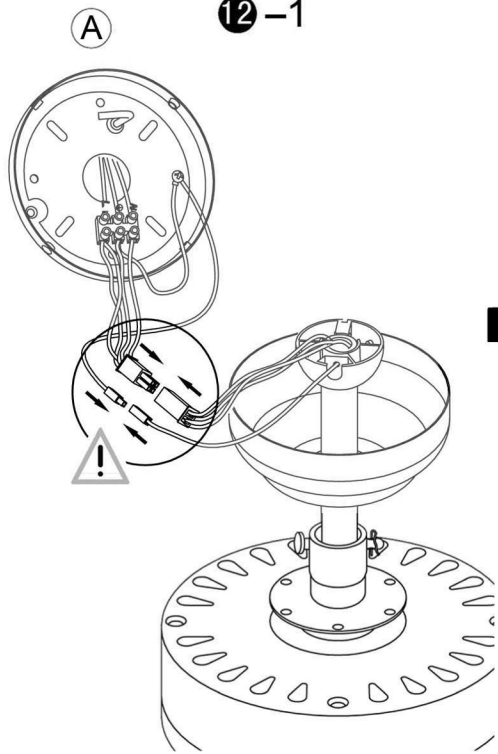




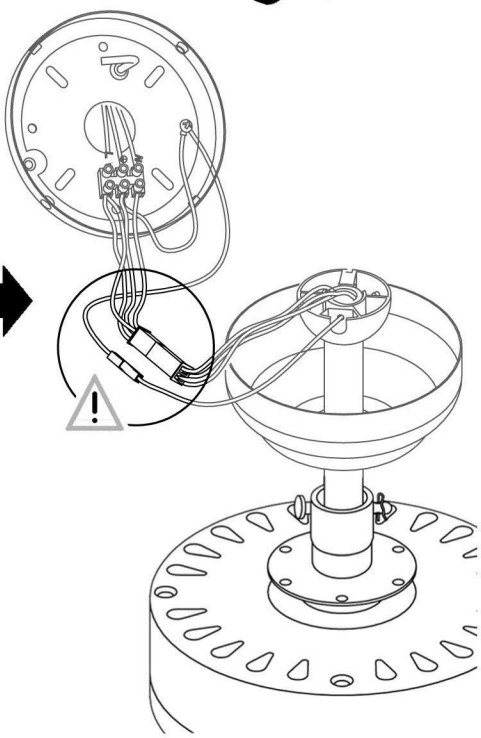
11-1



12-1

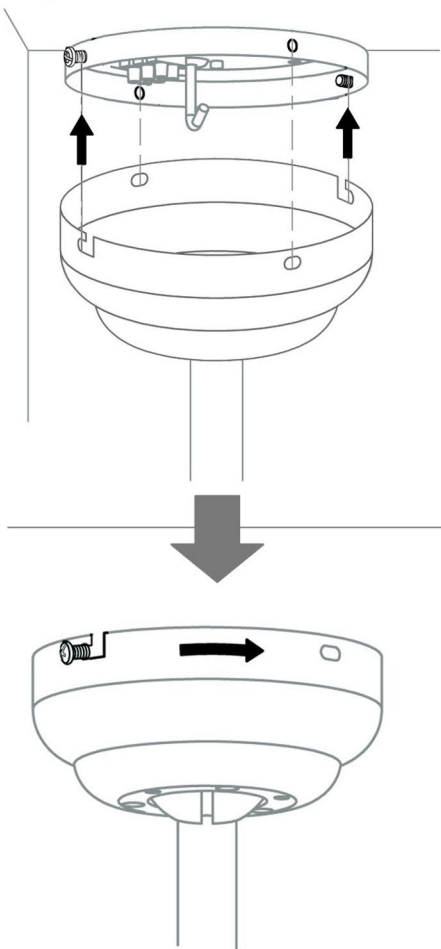


13-1

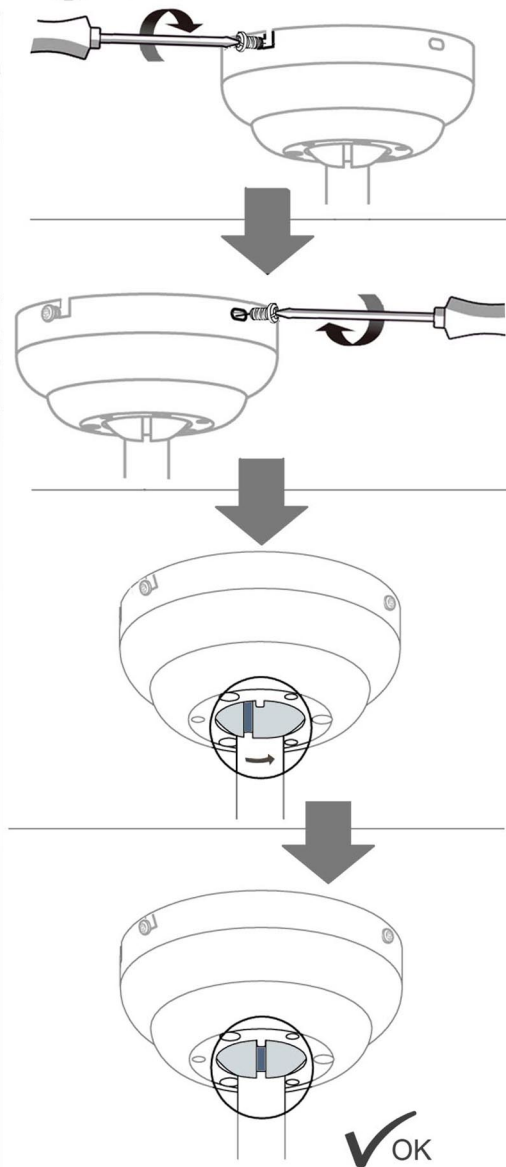


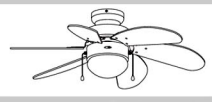


14-1

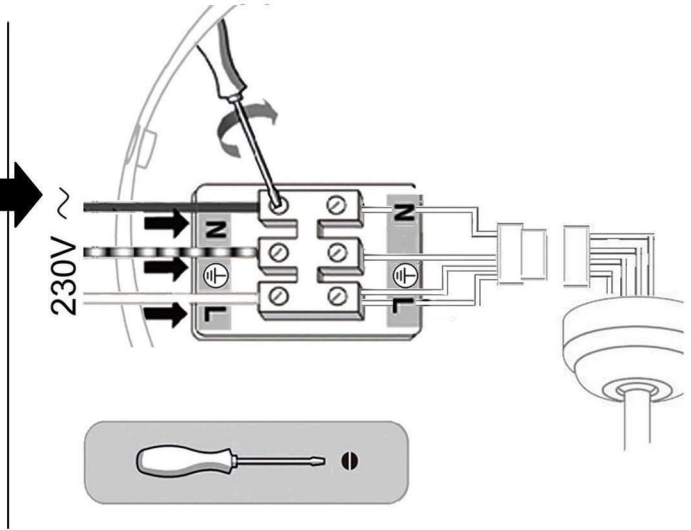
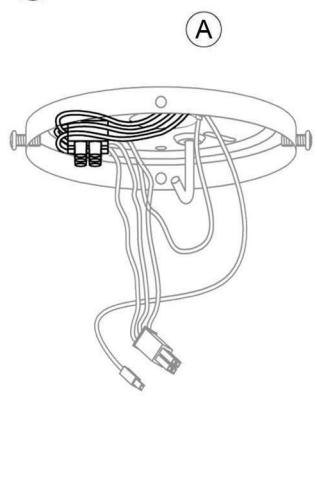


15-1

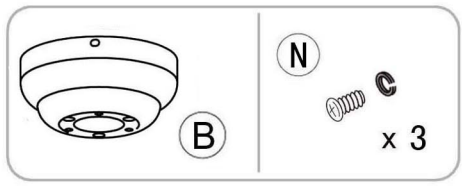
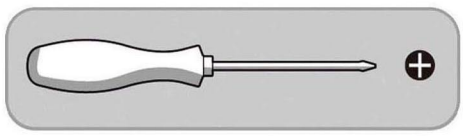
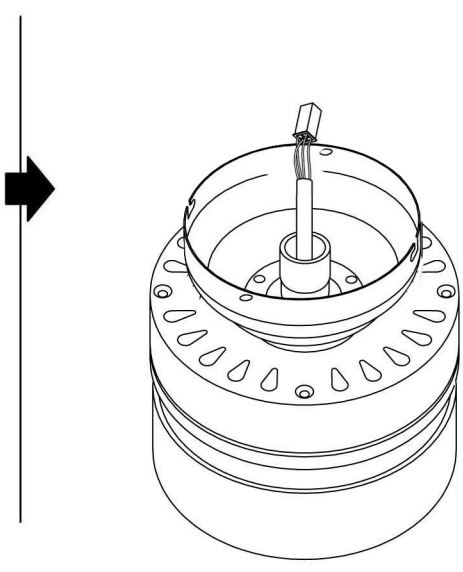
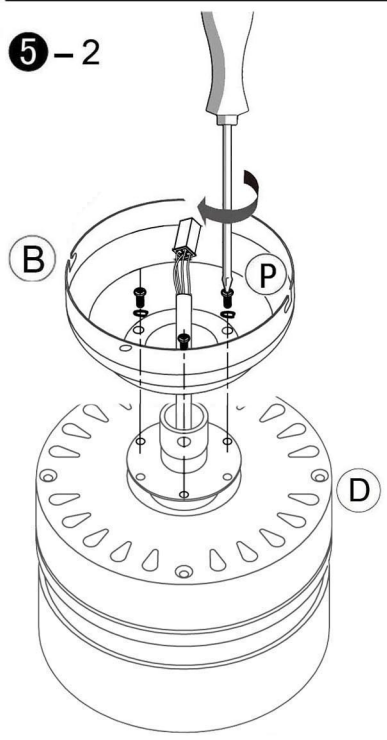

 (K)  x2

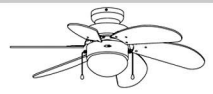


4-2

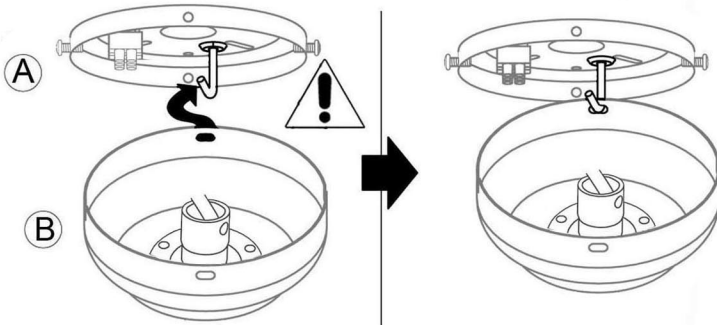


5-2

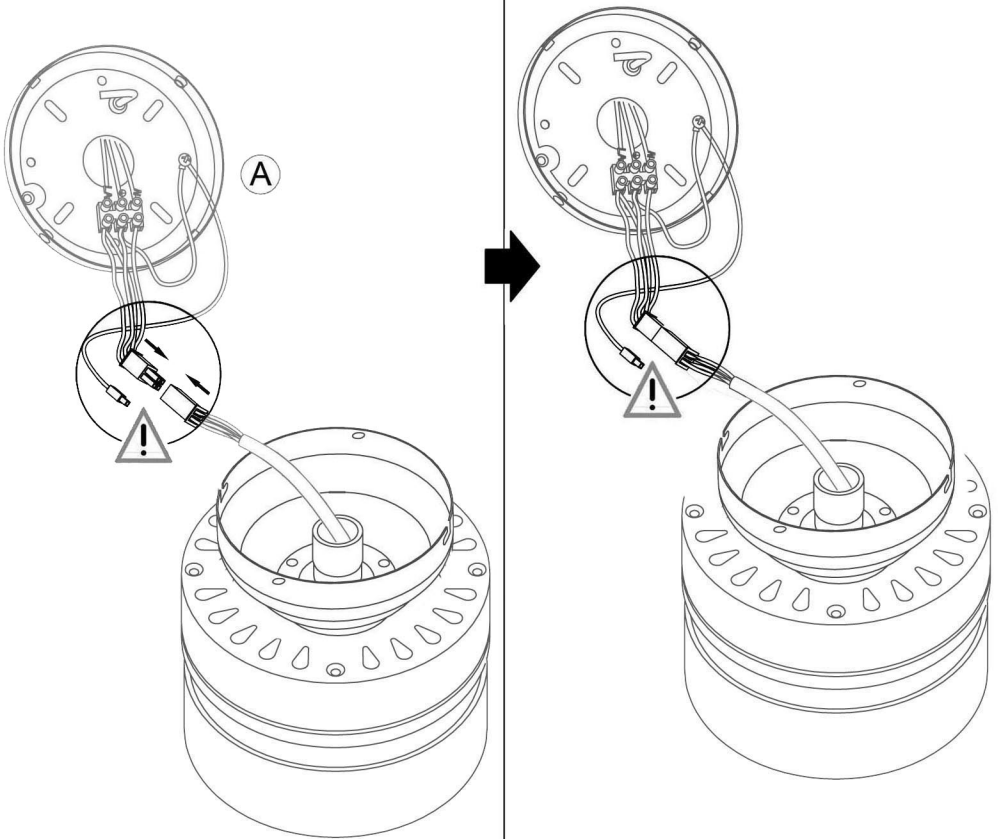




6-2

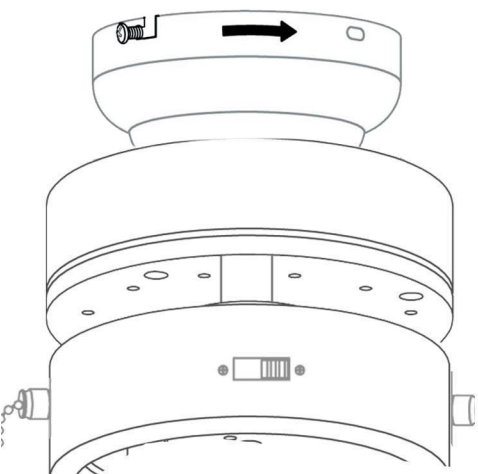
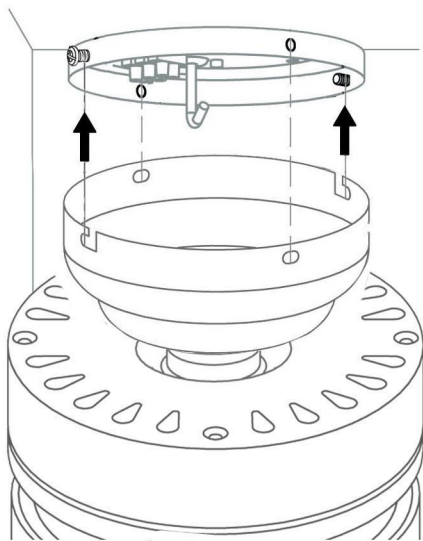


7-2

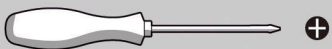
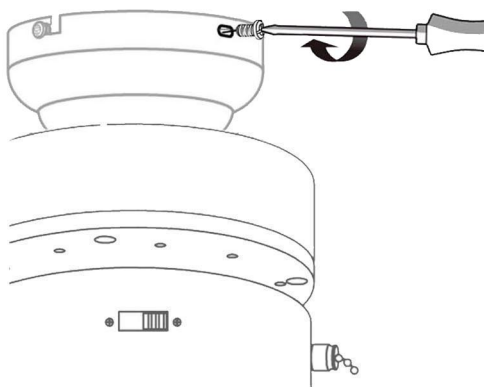
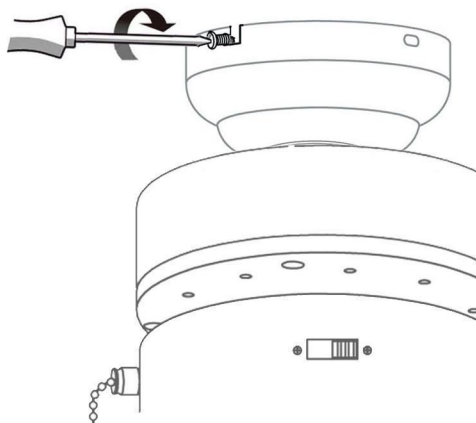




8-2



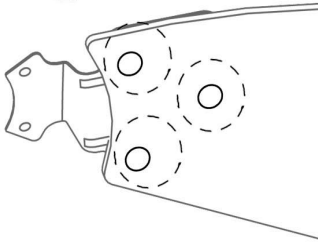
9-2



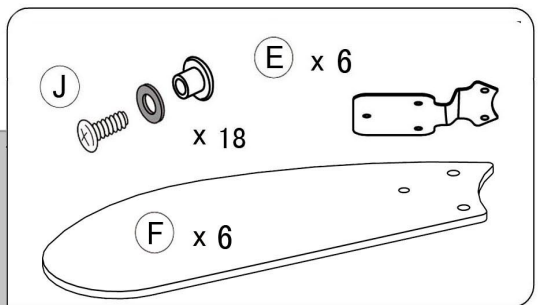
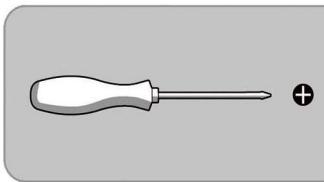
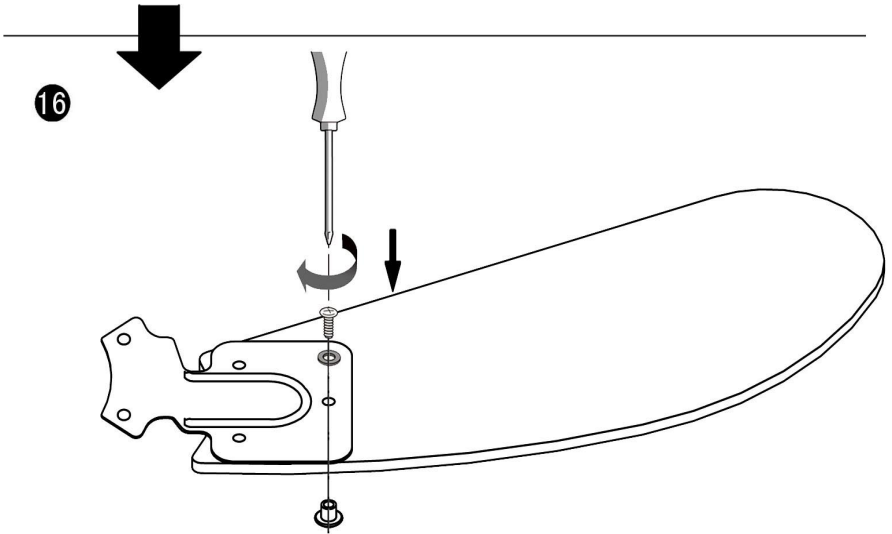
+

K x 2

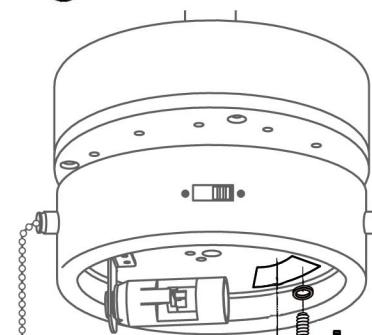
16



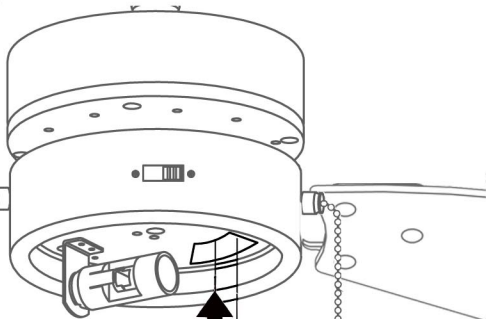
16



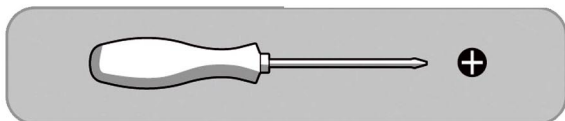
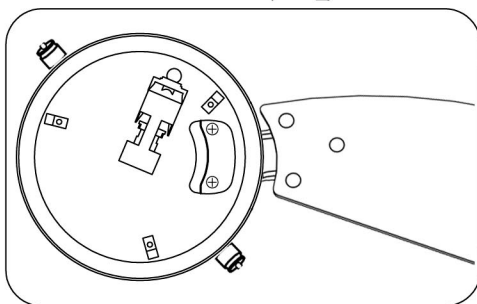
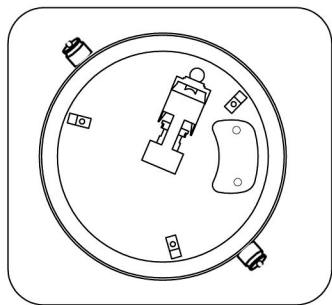
17



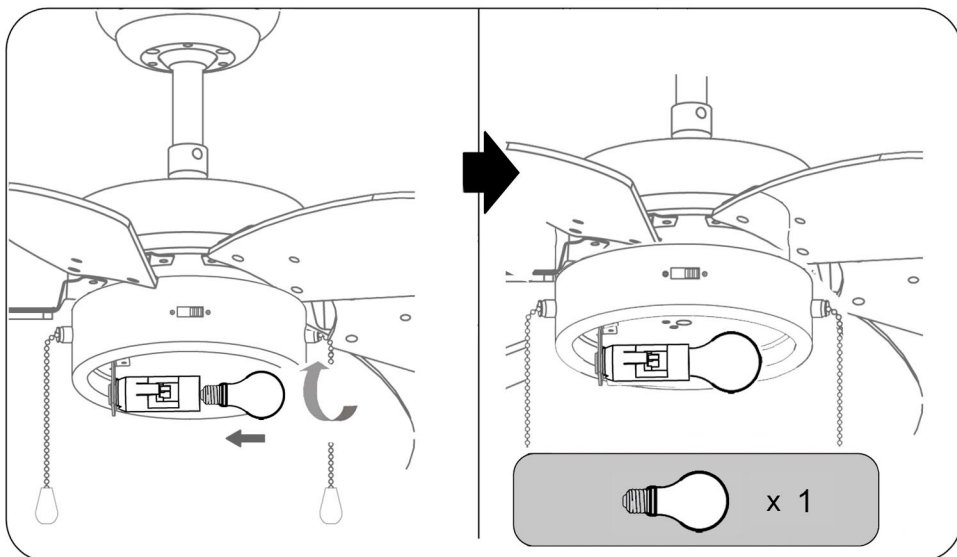
18



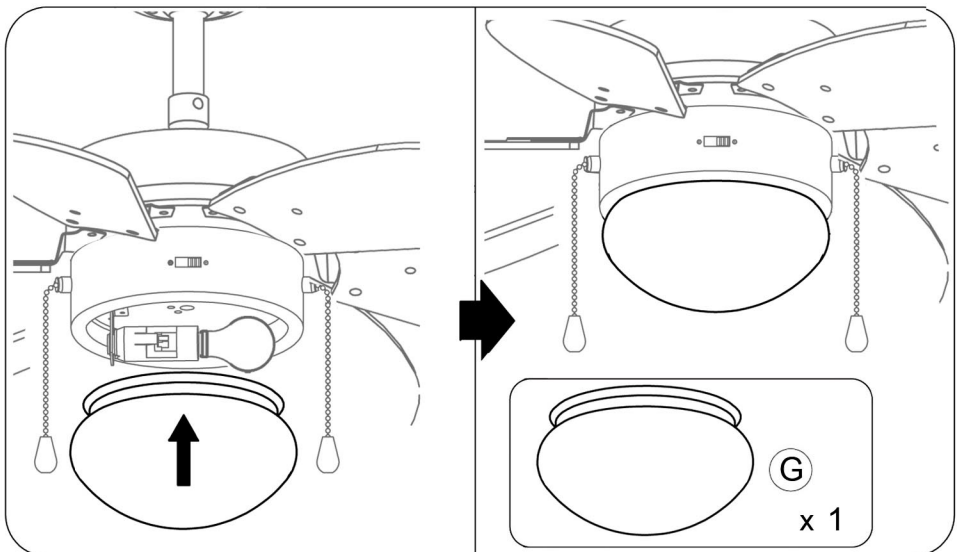
x 12

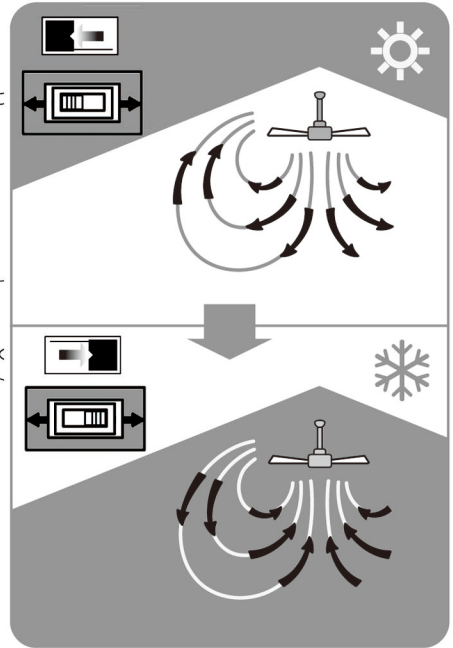
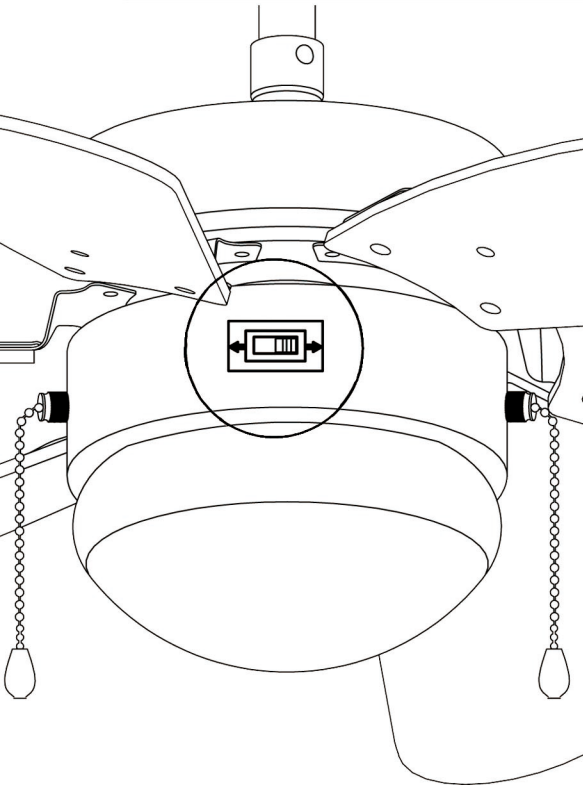
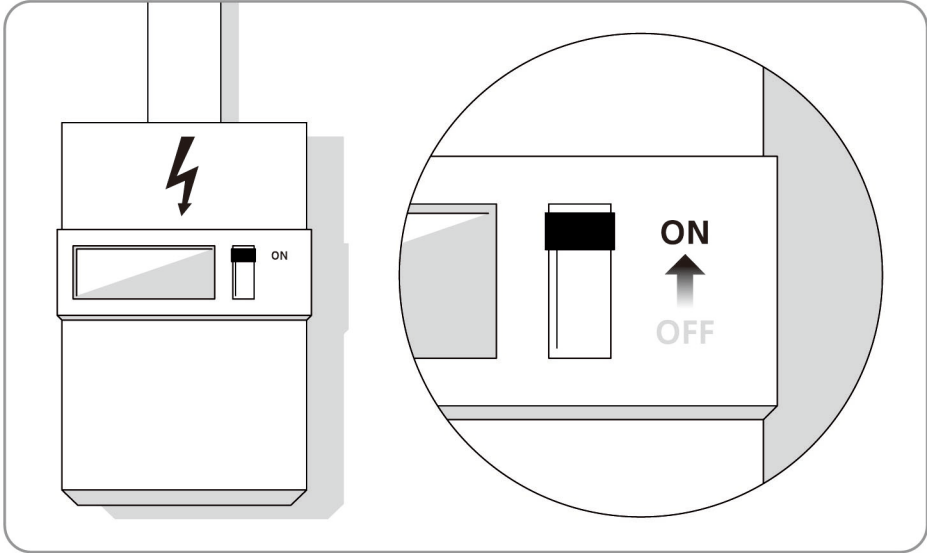


19



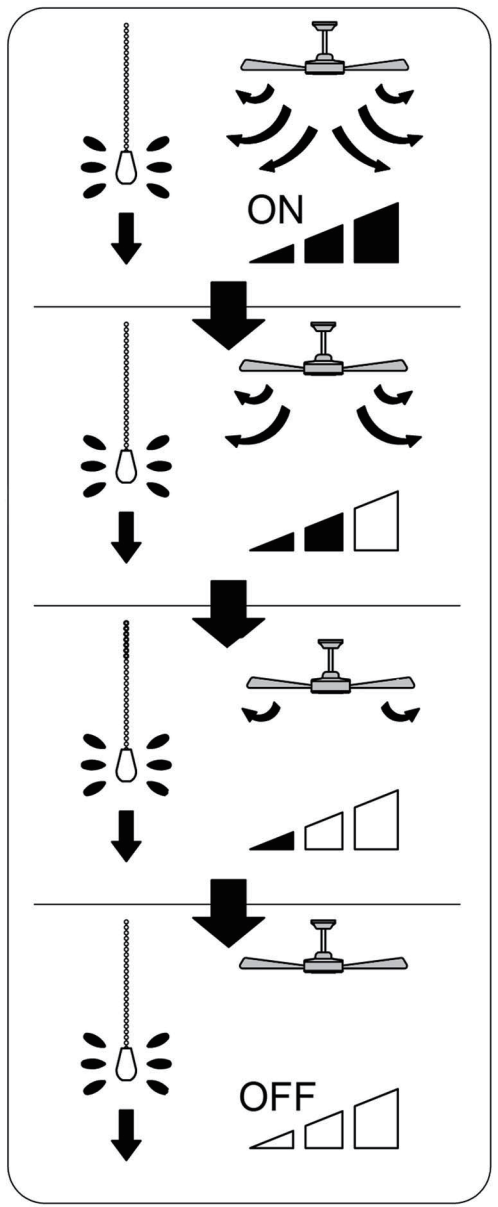
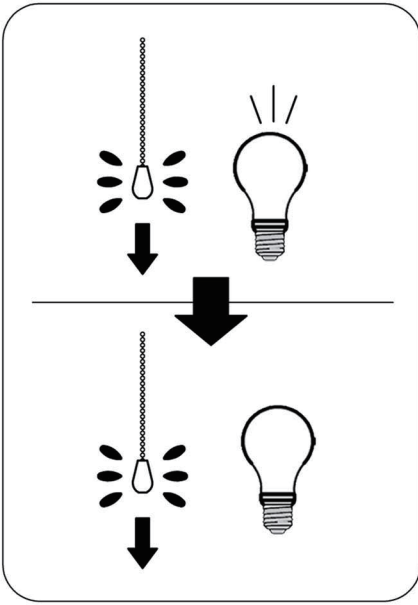
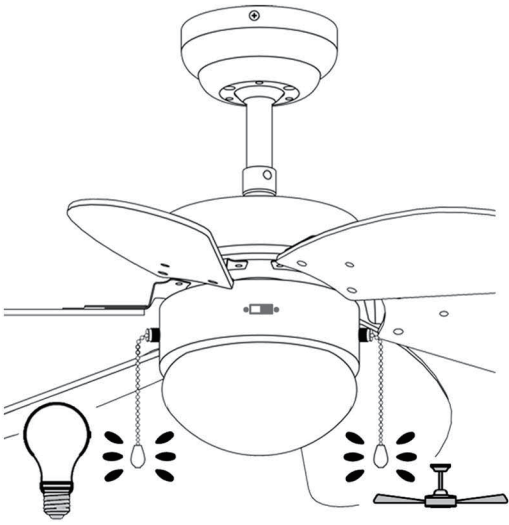
20

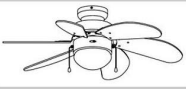




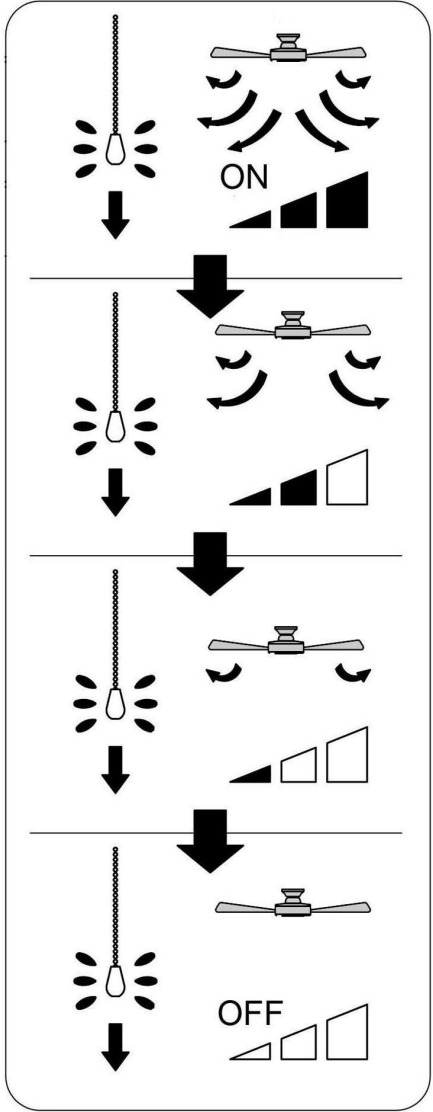
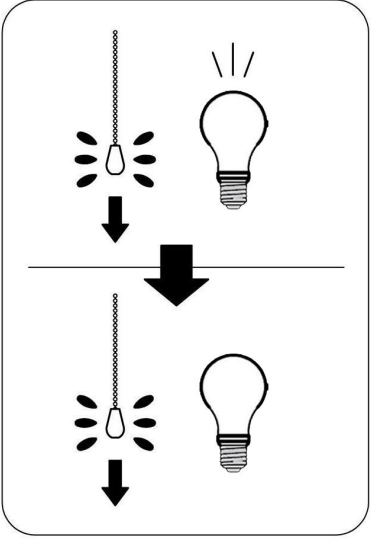
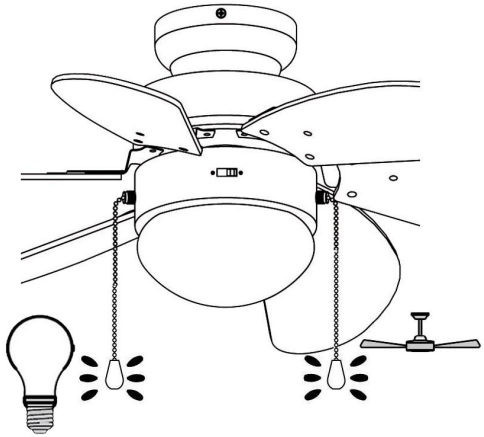


21-1



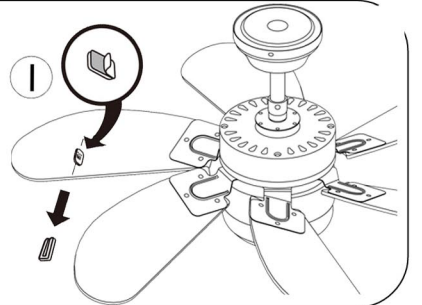
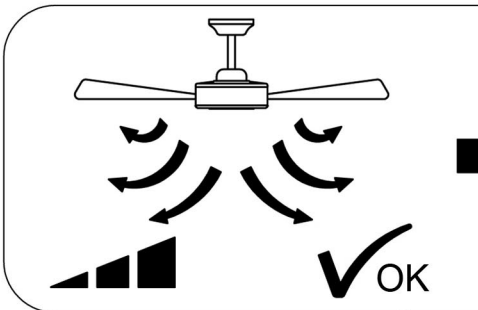
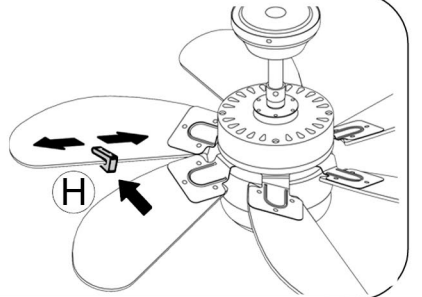
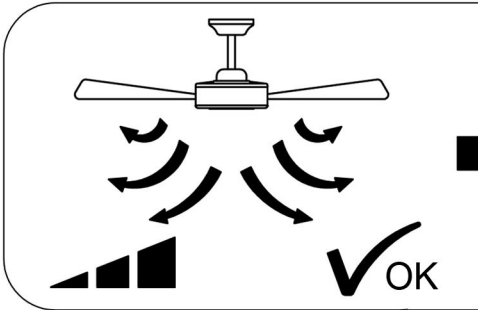
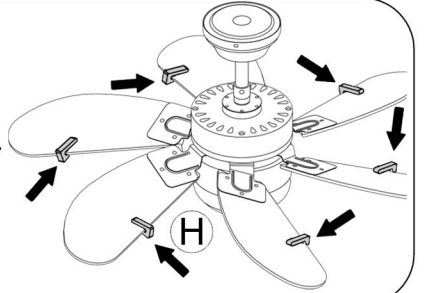
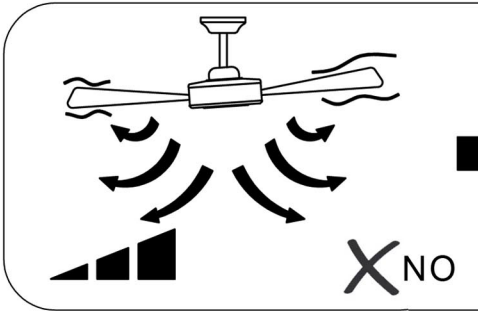
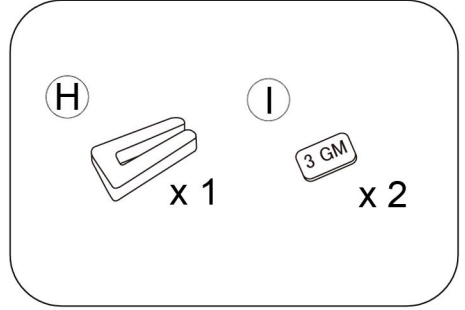
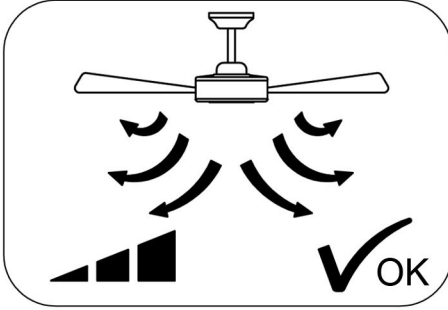


21-2





22 -1





22 - 2

